

RESISTOR PACK

END OF LINE, 1% ACCURACY

ADI
PRO

ADI PRO's end of line resistor helps to prevent false alarms and provide zone supervision within fire and intrusion alarm systems. With 1% accuracy and known value, the resistor allows a control panel to more effectively differentiate between normal operation and fault or alarm conditions.

FEATURES

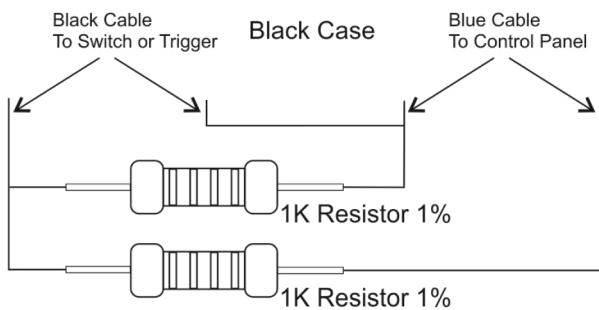
Ideal for end of line applications with closed loop or open loop switches

Two 1K resistors per unit safely convert electrical energy to heat at the rate of 1/8 watt

Quick and easy to connect, with four cable leads per unit: two for blue cable and two for black cable

1% resistance accuracy

Limited Lifetime Warranty



Normal Resistance: 2K Ω ; Alarm Resistance: 1K Ω
Shorted Resistance: 0 Ω ; Open Resistance: Infinite Ω



Product Specifications

PART #: 0E-MCR21K
UPC: 840049306967

Unit Length: 11.8" (30cm)

Case Diameter: Ω 0.25 x 1" (Φ 6 x 25mm)

Color: Blue and black cable, black case

Power Input: 12VDC

Package Quantity: 10 units

For more information contact
your ADI Sales person or visit
adiglobal.com/adiexclusivebrands

